

# Aluminium Sleeves



## Aluminium printing cylinders for sleeve technology

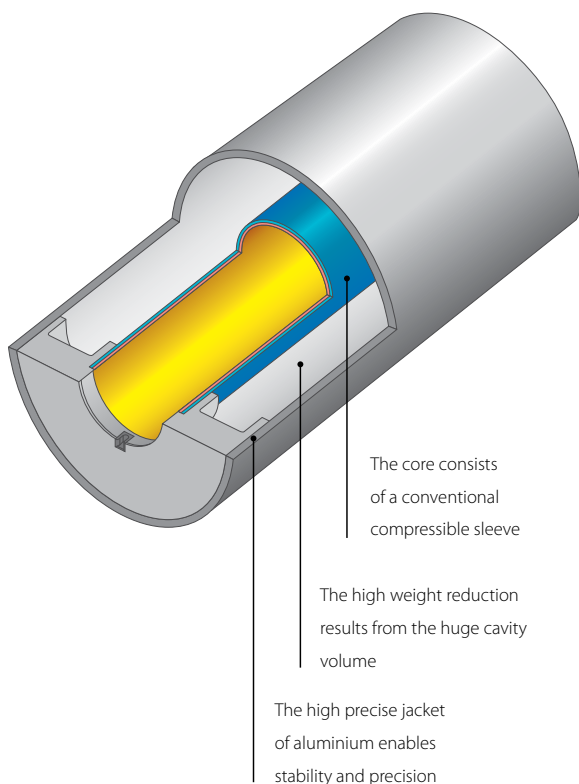
Due to its lightweight construction Aluminium Sleeves are a perfect alternative to conventional plastic sleeves.

The sleeve technology which has already been proven and tested for several years, has been developed to a top product by the use of aluminium instead of plastic. Weight, user-friendly assembly and most of all precision are the most important terms concerning our consequent development. Enjoy the fast and easy handling, better sticking of the tape and less waste during the mounting of the plates.

The original sleeve technology remains unvaried. The additional advantages are obvious: increased reliability and better concentricity by means of a hard and precise surface.



Variation of Aluminium Sleeves:  
rubber blanket  
aluminium surface  
hard anodized finish



### Your advantages

- Longer lifetime compared to conventional plastic sleeves
- Perfect concentricity
- Constant parallelism
- Increased dimensional accuracy
- Reduction of weight
- Optional hard anodized layer for increased protection against wear
- Less waste during the mounting of the plates
- Improved sticking of the tape on the aluminium surface